

# AMERICAN RANGE

QUALITY PROFESSIONAL COOKING EQUIPMENT

## VILLA SERIES WARMING DRAWERS SPECIFICATIONS



ARR-36WD



ARR-36IRWD

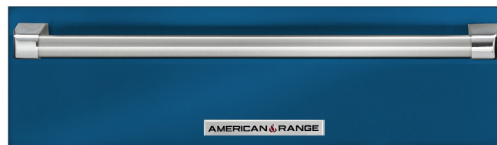
### FEATURES

- Easy touch electronic control.
- Four level [100°F to 190°F] Temperature settings: PROOF; LOW; MED; HIGH
- Hour Time selections: 1 HR; 2 HR; 3 HR; 4 HR
- CONTINUOUS time select for parties and events, or use of the warmer during the Sabbath.
- Push-to-Open warming drawer slides with Slow-Close feature.



### CUSTOMIZE YOUR WARMING DRAWER

Whether you want stainless steel, a color or a cabinet front, we can accommodate you.



See [ralcolorchart.com](http://ralcolorchart.com) for color options for the front panel



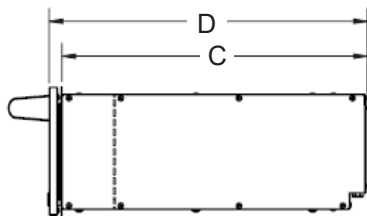
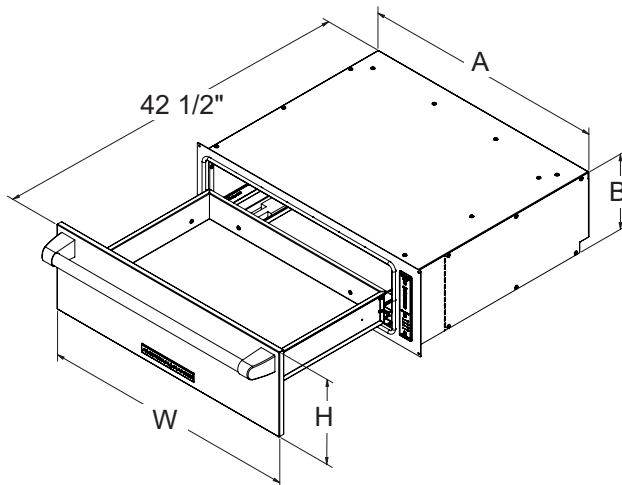
## TECHNICAL SPECIFICATIONS

<b>27"</b>	ARR-27VWD
Overall Dimensions	27"W x 24-1/2"D x 10"H (686 x 622 x 254 mm)
Chassis Dimensions	25 1/2"A x 23-1/2"C x 9-1/4"B (648 x 570 x 235 mm)
Drawer (ID) Dimensions	19-7/8"W x 16-3/4"D x 3-3/8"H (505 x 425 x 86 mm)
Heating Element	500 Watts
Convection Fans	Yes
Temperature Range	100°F to 190°F (38°C to 88°C)
Electrical Supply	120 VAC; 15 amp; Single Phase
Shipping Weight	85 Lbs (39 kg)

<b>30"</b>	ARR-30VWD
Overall Dimensions	30"W x 24-1/2"D x 10"H (762 x 622 x 254 mm)
Chassis Dimensions	28-1/2"A x 23-1/2"C x 9-1/4"B (724 x 570 x 235 mm)
Drawer (ID) Dimensions	22-7/8"W x 16-3/4"D x 3-3/8"H (581 x 425 x 86 mm)
Heating Element	500 Watts
Convection Fans	Yes
Temperature Range	100°F to 190°F (38°C to 88°C)
Electrical Supply	120 VAC; 15 amp; Single Phase
Shipping Weight	90 Lbs (41 kg)

<b>36"</b>	ARR-36VWD
Overall Dimensions	36"W x 24-1/2"D x 10"H (914 x 623 x 254 mm)
Chassis Dimensions	34-1/2"A x 23-1/2"C x 9-1/4"B (876 x 570 x 235 mm)
Drawer (ID) Dimensions	28-7/8"W x 16-3/4"D x 3-3/8"H (733 x 425 x 86 mm)
Heating Element	500 Watts
Convection Fans	Yes
Temperature Range	100°F to 190°F (38°C to 88°C)
Electrical Supply	120 VAC; 15 amp; Single Phase
Shipping Weight	106 Lbs (48 kg)

NMFCCODE: 25970-2 Class: 85



## Custom Panel Ready drawer front and handle to easily customize with your kitchen cabinets.

Accepts third-party custom wood panels to blend seamlessly with custom cabinetry.



ARR-27VWD



ARR-27IRWD

### ACCESSORIES

27" Door Handle Including End Caps and Stainless Steel Pull Bar ARWDH-27-V



ARR-30VWD



ARR-30IRWD

### ACCESSORIES

30" Door Handle Including End Caps and Stainless Steel Pull Bar ARWDH-30-V



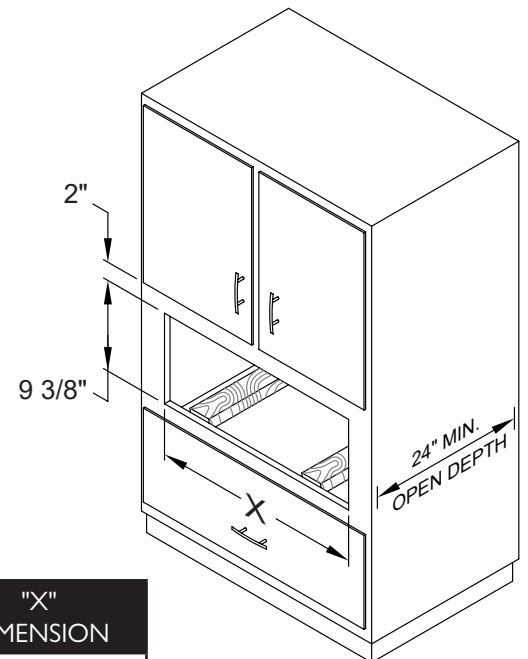
ARR-36VWD



ARR-36IRWD

### ACCESSORIES

36" Door Handle Including End Caps and Stainless Steel Pull Bar ARWDH-36-V



WD WIDTH	"X" DIMENSION
27" (686 mm)	25-5/8" (651 mm)
30" (762 mm)	28-5/8" (727 mm)
36" (914 mm)	34-5/8" (625 mm)